

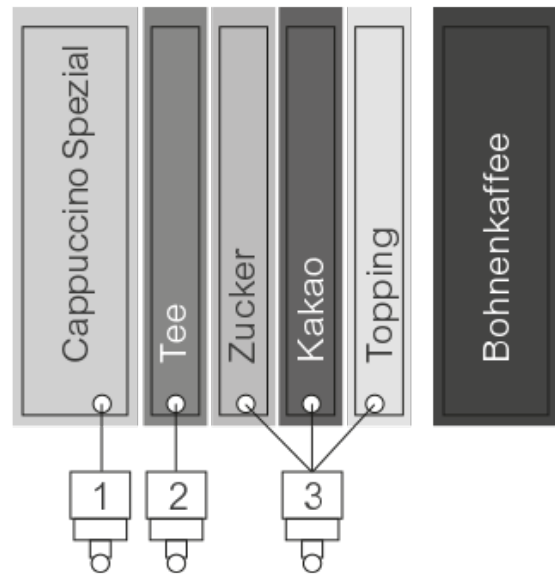


CVS
Variant 5305



Introduction

- Continuous operation panel with 14 illuminated metal direct selection buttons
- Customizable advertising panel
- Operating elements at ergonomic height
- Its modular design makes it extremely easy to service and recycle
- Combination of whole coffee beans and instant products
- High performance grinder
- High-Tech PEEK Brewer



Configuration

- 1 large bean container*
- 5 instant containers*
- 3 mixer units

* bean container: 4.5 kg or 13.0 l

Coffee/instant containers: 67 mm: approx. 4.9 l - 78 mm: approx. 5.8 l - 137 mm: approx. 10.0 l

Container

| Container width (approx.) | 67 mm | 78 mm | 137 mm |
|----------------------------|-----------|-----------|------------|
| Container volume (approx.) | 4,900 ccm | 5,800 ccm | 10,000 ccm |
| Instant coffee | 1,000 g | 1,250 g | - |
| Sugar | 4,000 g | 5,000 g | - |
| Whitener / topping | 2,500 g | 3,000 g | - |
| Chocolate powder | - | 3,500 g | 6,000 g |
| Tea | 4,500 g | 5,500 g | - |

CVS

Variant 5305

MADE
IN
GERMANY

| | | | |
|--------------------|------------------------|---------|---------|
| Soup | 3,500 g | 4,500 g | - |
| Cappuccino special | 2,500 g | 3,000 g | 5,000 g |
| Coffee beans | Bean container 4,500 g | | |



Sielaff GmbH & Co. KG
Automatenbau Herrieden
Münchener Str. 20
91567 Herrieden
Germany

Phone: +49 9825 18-0
Telefax: +49 9825 18-311155
info@sielaff.de
www.sielaff.com

See here for our
company profile video



■ MADE
■ IN
■ GERMANY

Technical changes and errors excepted.
All illustrations are exemplary and may include optional equipment.