

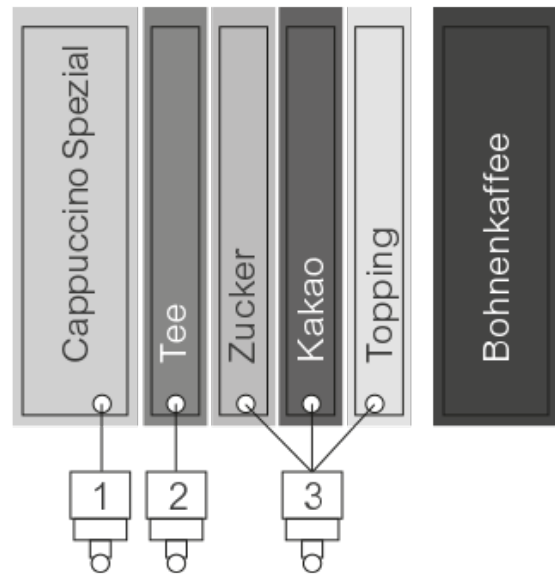


CVS
Variant 5305



Introduction

- Continuous operation panel with 14 illuminated metal direct selection buttons
- Customizable advertising panel
- Operating elements at ergonomic height
- Its modular design makes it extremely easy to service and recycle
- Combination of whole coffee beans and instant products
- High performance grinder
- High-Tech PEEK Brewer



Configuration

- 1 large bean container*
- 5 instant containers*
- 3 mixer units

* bean container: 4.5 kg or 13.0 l

Coffee/instant containers: 67 mm: approx. 4.9 l - 78 mm: approx. 5.8 l - 137 mm: approx. 10.0 l

Container

Container width (approx.)	67 mm	78 mm	137 mm
Container volume (approx.)	4,900 ccm	5,800 ccm	10,000 ccm
Instant coffee	1,000 g	1,250 g	-
Sugar	4,000 g	5,000 g	-
Whitener / topping	2,500 g	3,000 g	-
Chocolate powder	-	3,500 g	6,000 g
Tea	4,500 g	5,500 g	-

CVS
Variant 5305

■ MADE
IN
■ GERMANY

Soup	3,500 g	4,500 g	-
Cappuccino special	2,500 g	3,000 g	5,000 g
Coffee beans	Bean container 4,500 g		



Sielaff GmbH & Co. KG
Automatenbau Herrieden
Münchener Str. 20
91567 Herrieden
Germany

Phone: +49 9825 18-0
Telefax: +49 9825 18-311155
info@sielaff.de
www.sielaff.com

See here for our
company profile video



■ MADE
■ IN
■ GERMANY