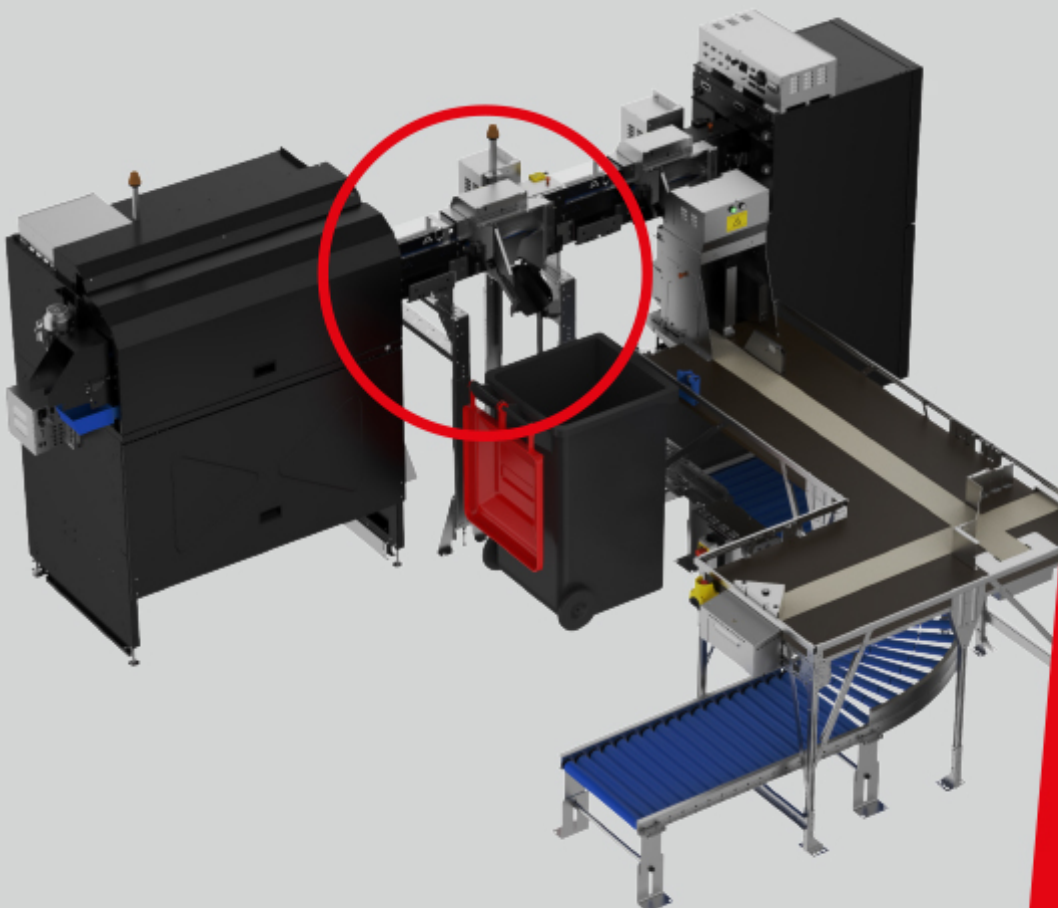




CrossMove Drop Basic



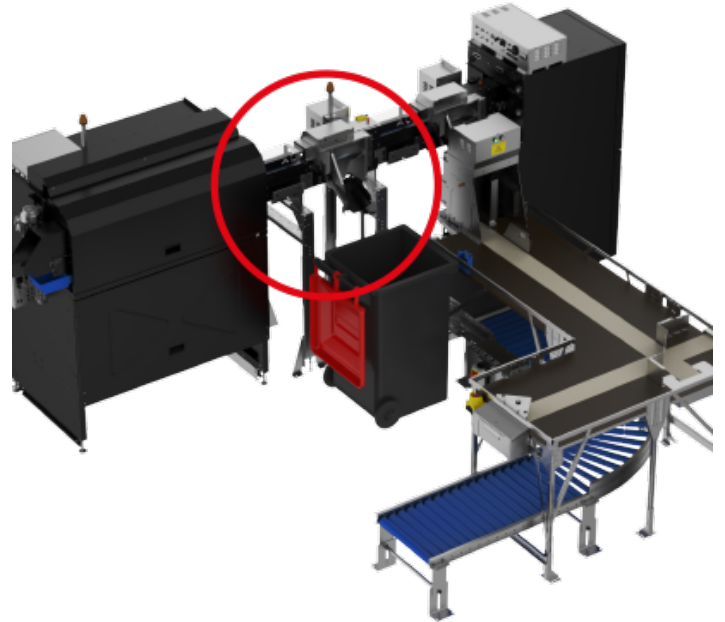
CrossMove Drop

Basic

MADE
IN
GERMANY

Features

- Discharge of defined containers from the FlexiSort into a collection container, e.g. a HardDrop
- Ideal for reusable or to-go products (e.g. bowls, cups)
- Collection container (HardDrop) can be transported in a closed state
- Hygienic transfer of returned containers with residual contents
- Safe and clean handling of reusable containers





Sielaff GmbH & Co. KG
Automatenbau Herrieden
Münchener Str. 20
91567 Herrieden
Germany

Phone: +49 9825 18-0
Telefax: +49 9825 18-311155
info@sielaff.de
www.sielaff.com

See here for our
company profile video



■ MADE
■ IN
■ GERMANY