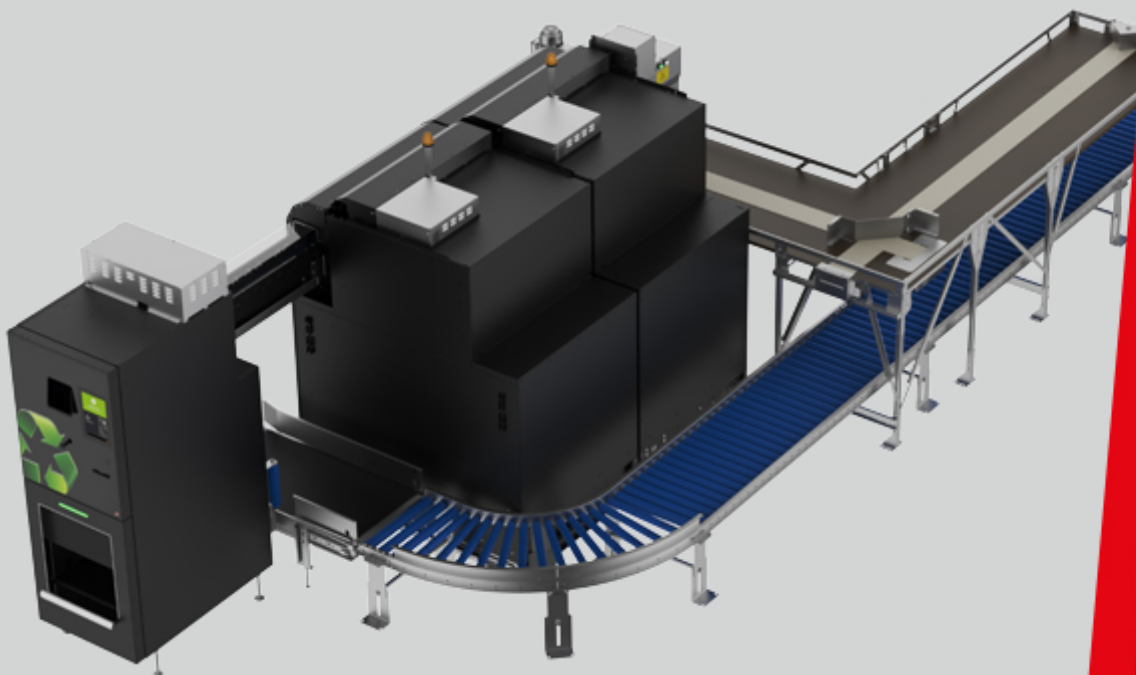




DualSort Semi Basic

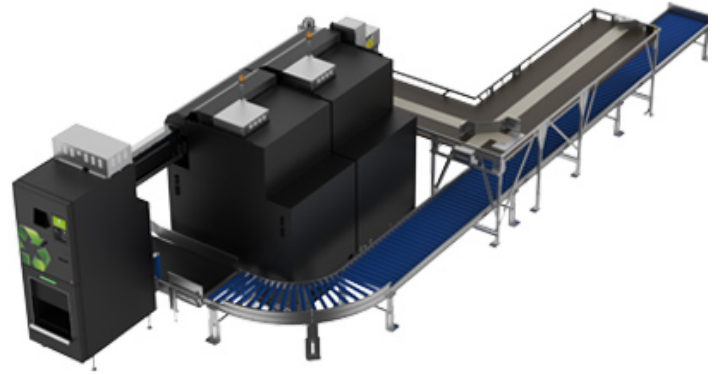


DualSort Semi Basic

MADE
IN
GERMANY

Features

- Enclosure positioned transversely
- 1 compactors per housing
- Removal direction right or left
- Material separation with several housings
- Up to 7 enclosures possible
- Dynamic resorting; the equipment remains operational even if a collecting container is emptied.





Sielaff GmbH & Co. KG
Automatenbau Herrieden
Münchener Str. 20
91567 Herrieden
Germany

Phone: +49 9825 18-0
Telefax: +49 9825 18-311155
info@sielaff.de
www.sielaff.com

See here for our
company profile video



■ MADE
■ IN
■ GERMANY

Technical changes and errors excepted.
All illustrations are exemplary and may include optional equipment.