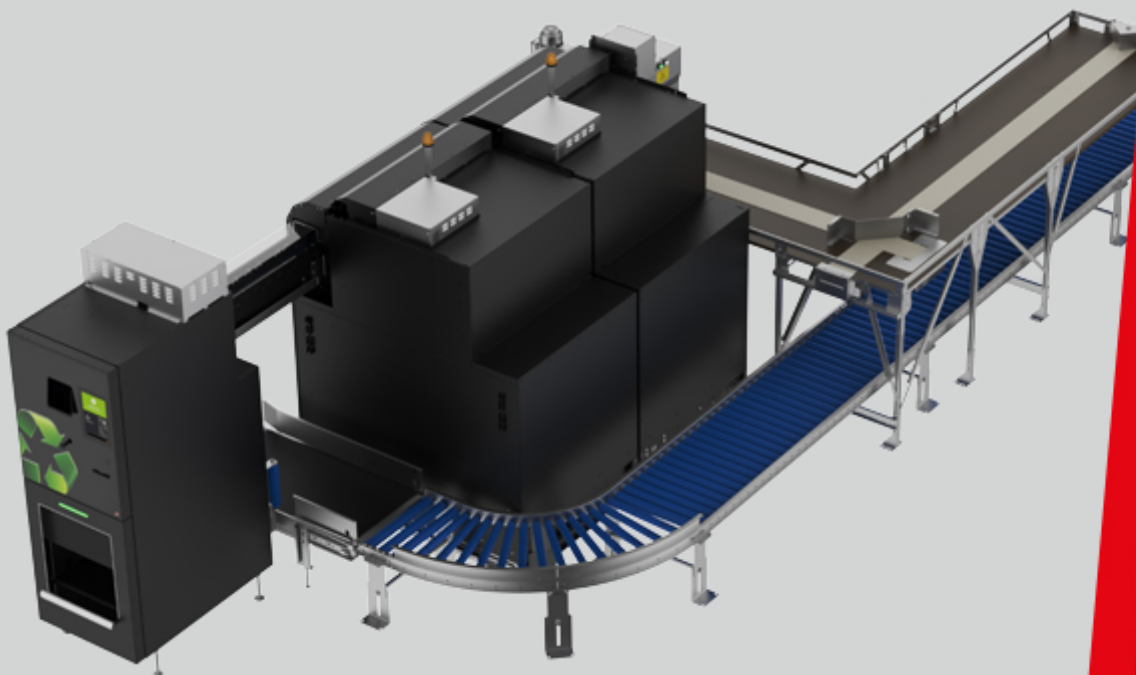




## DualSort Semi Basic

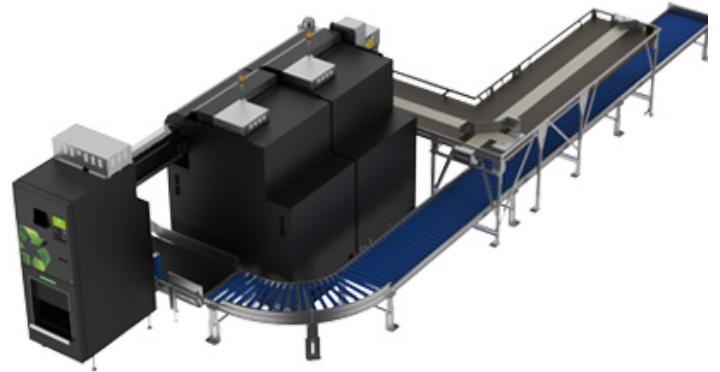


# DualSort Semi Basic

MADE  
IN  
GERMANY

## Features

- Enclosure positioned transversely
- 1 compactors per housing
- Removal direction right or left
- Material separation with several housings
- Up to 7 enclosures possible
- Dynamic resorting; the equipment remains operational even if a collecting container is emptied.



## SiVario 2020 Basic data

Dimensions:	1,715 x 600 x 1,080 mm (height x width x depth)*
Weight:	Approx. 330 kg
Electrical connection values:	3L/N/PE, 400 V, 50 Hz
Power consumption:	Max. 650 W, 70 W Standby
Operating temperature:	+5 °C to +40 °C non-condensing
Wall opening:	1,750 x 650 mm (height x width)

*\*Deviations in the housing dimensions are possible due to add-on parts and accessories.*

## Container for empties

- Size: Euro pallet with 975 mm x 800 mm x 1,200 mm (height x width x depth)

# DualSort Semi

## Basic



### Conformity

- CE, DPG-certified
- UKCA (UK Conformity Assessed)

### Material separation

- Segregated collection according to material type is possible



Sielaff GmbH & Co. KG  
Automatenbau Herrieden  
Münchener Str. 20  
91567 Herrieden  
Germany

Phone: +49 9825 18-0  
Telefax: +49 9825 18-311155  
[info@sielaff.de](mailto:info@sielaff.de)  
[www.sielaff.com](http://www.sielaff.com)

See here for our  
company profile video



■ MADE  
■ IN  
■ GERMANY