



Coffee pleasure with style

Siamonie Smart



Benefit from our strengths

Black-White

Rich black contrasting with brilliant white!

Behind this striking facade are brought into play well thought out technologies inside the machine and a passion for its features in the detail.

Coffee pleasure at its best

Bring change to your grey everyday office life. Sielaff's compact OCS-machine combines a stylish look with taste satisfaction and technical perfection.

The high quality **Siamonie Smart** slots seamlessly into the Siamone series. The family-look is emphasised by its design, highlighted with its glass and painted surfaces. With its special look, inspired by bold contrasts, the **Siamonie Smart** is sure to turn heads.

Just as exceptional as its design is the diversity of its spectacular coffee blends. Whether it be a robust espresso with a velvety crema to a creamy cappuccino and latte macchiato – all to the highest level of coffee bar quality.

Deftly solving the requirements of the office environment: economically and effectively. Smartness itself.



The best coffee experience for the office and meeting rooms without high expenditure



A strong espresso, coffee or cappuccino



Coffee bar quality



Koffin
 Americano / Latte
 Espresso / Ristretto
 Doppio
 Lungo
 Espresso Classico
 Espresso Macchiato
 Cappuccino
 Cappuccino Latte
 1,20 € / 1,30 €

Benefit from our strengths

Indulgence in the office.

The Siamonie Smart ticks all the boxes in the office environment: It is striking, economical, effective and successful. Coffee pleasure tastefully designed for the office and meeting room. Without great expense whenever you want.

Streamlined design

The Siamonie Smart scores with its low build-height. It is available in two variants. The OCS and the OCS XL with bean sight glass. Filling is easy, the product container covers enable the machine to be filled even if located underneath a wall unit. Cleaning is simple and servicing and operating uncomplicated.

Quality guaranteed.

Well thought out technology and high-value components are features of the Siamonie Smart. Its internal workings are aligned exactly to your requirements, to take care of your coffee with the utmost reliability. Whenever you want to enjoy coffee, "Made in Germany" takes quality and functionality to a new high level.

Great taste

Taste cannot be disputed. The integrated watertank with filter cartridge, available as an option, makes operating simple and does not influence the capacity of the fill products. All beverages are also available in coffee pot size, a few portions at a time. The Siamonie Smart knows no limits when it comes to good taste.

Eye-catching detail

Elegance is synonymous with a love for detail. Impressive and stylish with its striking jet black glass front contrasted with brilliant white and complimented by a high-quality stainless steel frame. The Siamonie Smart is also available in matt black finish.



The milk module compliments the Siamonie Smart perfectly



This practical espresso machine provides the highest level of coffee enjoyment



Perfect for the office and vending environment – reliable and easy to clean

Base cabinet

- Attractively shaped to match the Siamonie Smart
- The front panels have a black laminate matt finish
- Lockable door and height-adjustable shelf
- Various accessories are available as an option i. e. exchangeable upper or front panels

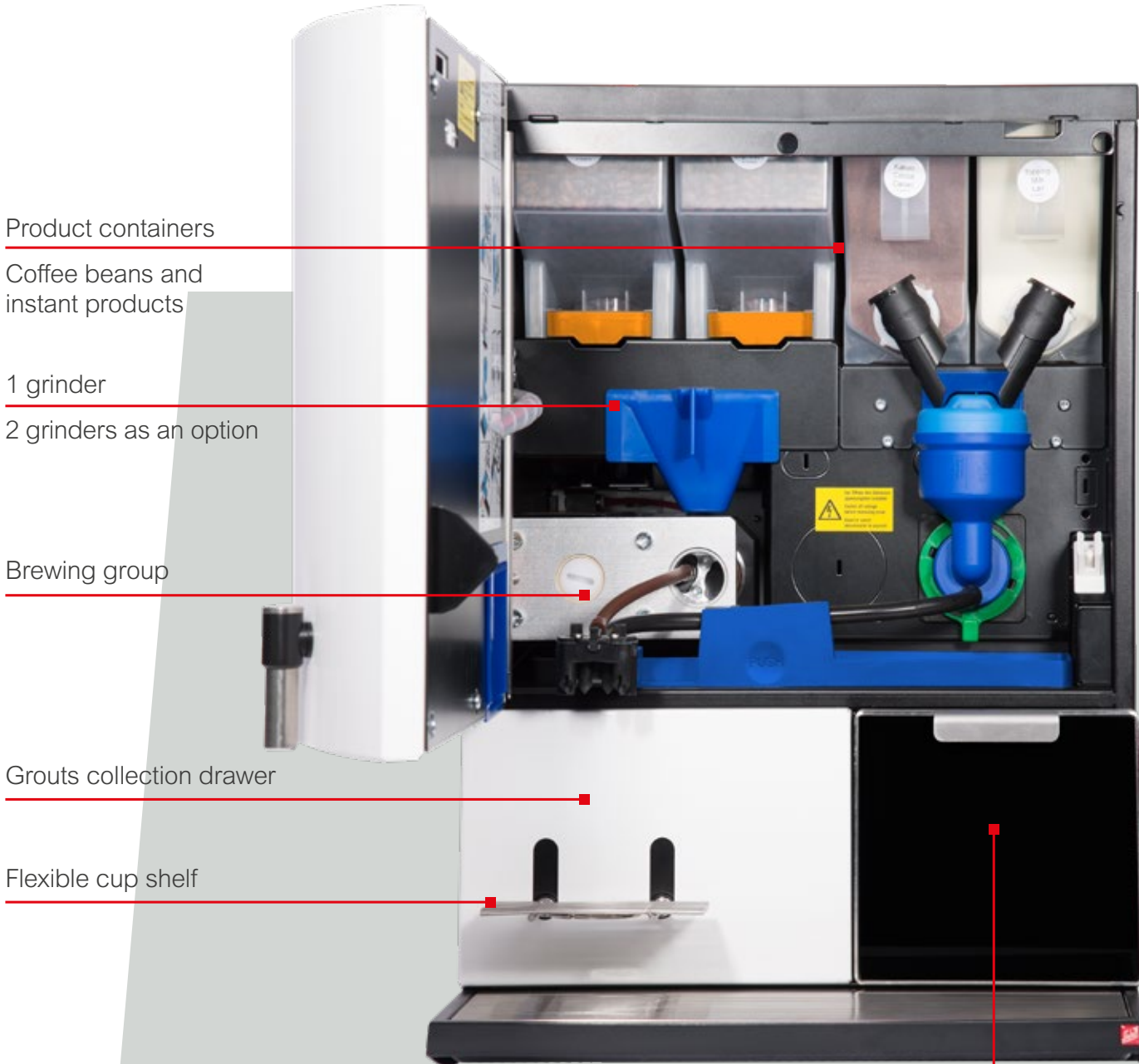


Variants

SIAMONIE Smart OCS

Full of striking detail

Elegance is derived from the love of details. The effect of reflecting glass front panels in rich black and brilliant white is rounded off with high-value stainless steel frames. The Siamonie Smart is also available in matt black as an option.



Product containers

Coffee beans and instant products

1 grinder
2 grinders as an option

Brewing group

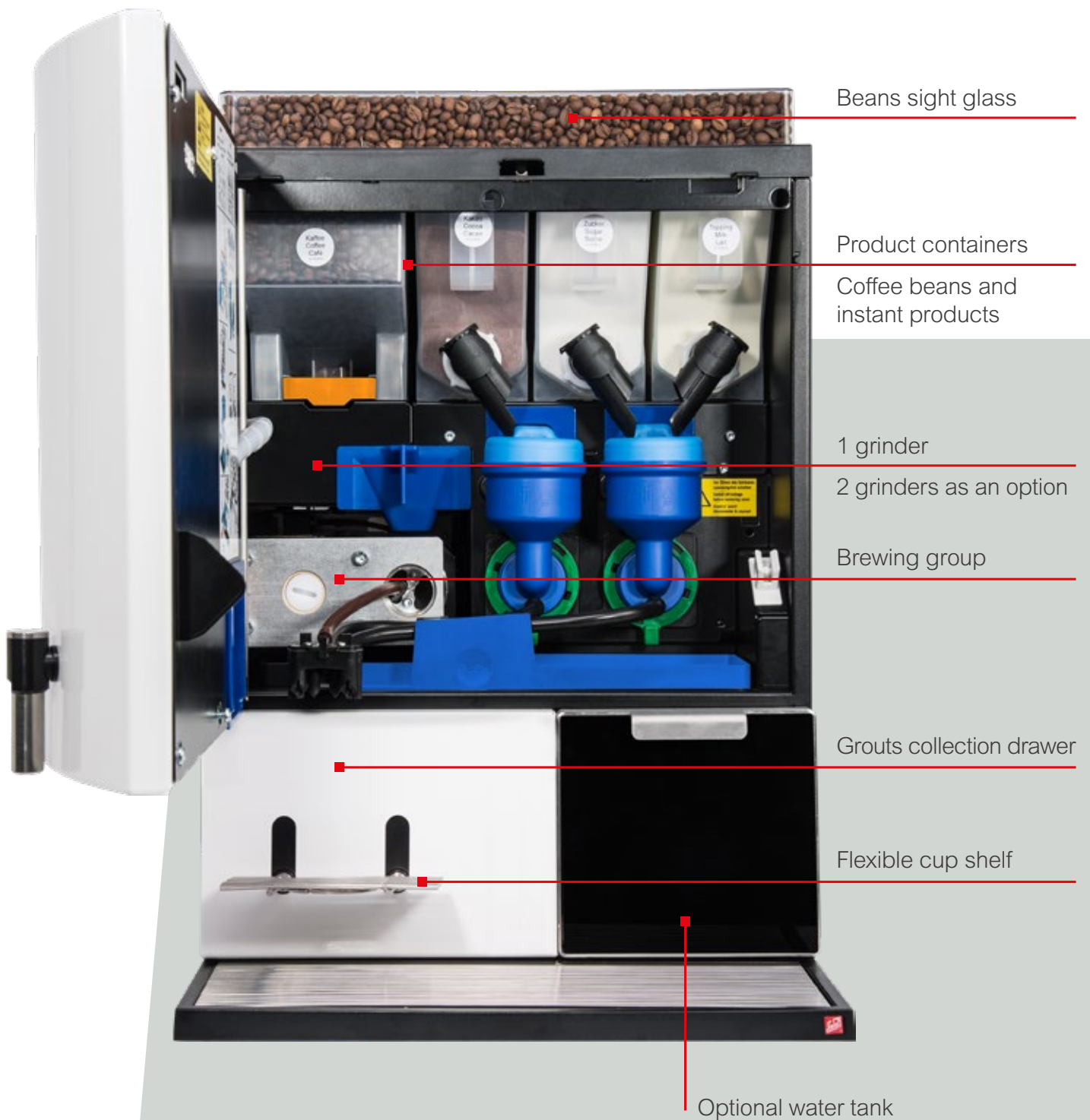
Grouts collection drawer

Flexible cup shelf

Optional water tank

Variants

SIAMONIE Smart OCS XL



Variants

SIAMONIE Smart OCS

General facts

- Keyless, simple operating concept
- Coffee and instant containers utilise the full depth of the machine. The low build-height enables ease of filling when the machine is located under a wall unit
- Well-designed machine interior, which makes it particularly easy to clean and service
- Generously-sized grounds container
- Innovative Sielaff-brewer, easy to remove for maintenance

General information

- Dimensions (h x w x d)*:
545 x 380 x 540 mm
- Weight: approx. 46 kg
- Electrical data:
220–230 V ~ / 50/60 Hz /16A
- Power consumption: 2.2 kW
- Drink capacity: up to 100 cups/ hour
- Optional:
 - Fitting an integrated water tank with filter cartridge without reducing the capacity of the fill products
 - Second grinder
 - Milk module
 - Conversion kits available e.g. height adjustable feet, grounds run-off

The office genius

The OCS is the genius for the small office – keyless filling and emptying. Positioned under a wall unit this machine, with its optional sugar pre-selection, takes care of the daily supply of coffee pleasure for each individual in the office



* Machine dimensions may vary due to add-on parts and accessories

Variants

SIAMONIE Smart OCS XL

General facts

- Locked product containers
- MDB-connection in the door unit and rear wall
- Coffee and instant containers utilise the full depth of the machine. The low build-height enables ease of filling when the machine is located under a wall unit
- Well-designed machine interior, which makes it particularly easy to clean and service
- Generously-sized grounds container
- Innovative Sielaff-brewer, easy to remove for maintenance

General information

- Dimensions (h x w x d)*:
580 x 380 x 540 mm
- Weight: approx. 47 kg
- Electrical data:
220–230 V ~ / 50/60 Hz /16A
- Power consumption: 2.2 kW
- Drink capacity: up to 100 cups/ hour
- Optional:
 - Integrated water tank with filter cartridge without reducing the capacity of the fill products
 - Door with integrated coin validator
 - Second grinder
 - Milk module
 - Conversion kits available e.g. height adjustable feet, grounds run-off

Flexibility if required

Whether in vending or in the public sector the OCS XL will always make a good impression. Equipped with a G13 coin validator (optional) and locked containers, necessary security is ensured. Ideal for

commercial use with factory-fitted MDB-connection in the door unit and on the rear wall. Optional extras: a cashless reader can be fitted behind glass and the facility to read out IRDA on the inside is available.



* Machine dimensions may vary due to add-on parts and accessories

Functions and Technology

Prestigious technology provides the best taste

The passion for quality and technology is evident from the first glance. Every sip of coffee delivers the taste that comes from Sielaff's experience and creativity.



Horizontal brewer

The **innovative horizontal brewer** developed by Sielaff with its insulated brewing chamber guarantees quality. Depending on the drink, coffee throws from 6 – 14 g are prepared in the brewer using **Sielaff's pre-infusion technology**. Sophisticated technology ensures an extremely clean and secure sealing using O-rings. Functional, easy to remove and clean. Microfilter-crema filter compliment this well-thought out technology.



Grinder

This high-performance conical grinder delivers a **quiet** but nevertheless **powerful grinding process**. The coffee beans are gently processed until the required grind is achieved. For optimum coffee pleasure from Espresso to French Press. The well-balanced, even grind guarantees perfect development of aromas and flavours.



Innovative display

The **7" high resolution touch display** with **LED-background illumination** is clearly visible from all perspectives. To attract attention on site, its high storage capacity enables the playing of slide shows and videos.



Keyless operating system

The Siamonie Smart OCS can be **filled** and **emptied without using a key**. A control indicator showing the fill status of the bean containers appears automatically on the display and shows exactly which container needs re-filling.



Machine interior

A tidy and clearly-defined machine interior epitomises the Siamonie Smart. It is easy to clean and uncomplicated for servicing. All components and assemblies are easily accessible. Reliable technology from experts characterises the Siamonie Smart.

Accessories and optional extras



Second grinder

For even **more coffee choices** a second grinder is available as an option. The **specific requirements** of various types of beans can be accommodated with bespoke grind setting. Tailored to coffee and espresso specialities the grind is set precisely and easily with a slewing ring. Sielaff really does understand the individual coffee experience.



Grounds container and direct drainage

The option to process **ground** and **drainage** into the base cabinet ensures **non-stop operation** on the higher frequented sites. Residual water and coffee cakes are disposed of discreetly.



Payment module

The **payment module** provides the convenient solution in the vending sector. A coin mechanism can be installed as required. With MDB-connection. The payment module is available in RAL 9005 – jet black.



Integrated coin validator and key switch

For daily **operating** in the public sector the Siamonie Smart OCS XL can be fitted with a **coin validator** and **key switch**. An integrated and spacious cashbox is complimented by a key switch for free vends. For a greater demand for that perfect coffee, there is the facility to switch over to pot dispense to deliver the experience of coffee pleasure during break times or in meetings..



Water tank

The water tank with its 3.5 l approx. capacity makes the Siamonie Smart **independent** of a **water connection**. The volume of instant products however remains **consistently high**. An integrated water filter in the water tank guarantees only the best coffee quality. Combined with **level monitoring** the watertank can be removed and filled effortlessly.



Water filter

A water filter ensures consistent **water quality** which in turn ensures **perfect** coffee in the office – irrespective of the quality of the local drinking water. The filtering performance of the AquaAroma Crama from Brita with its aroma-ring is adjusted to suit the local **carbon hardness**. Up to 1,470 cups of consistently good quality coffee is therefore made possible. In addition the water filter protects the machine from limescale.

Siamonie Smart milk module

The Siamonie Smart with fresh milk for even more taste

If every coffee break should taste like a mini-break to Italy the milk module is the perfect addition to your new Siamonie Smart OCS and OCS XL – prepared in advance for the milk module.

Without additives or additional sugar, fresh milk is the prerequisite for topping. Whether low fat or lactose-free milk both are suitable for that perfect coffee pleasure. Connecting the milk module is not only simplicity itself but it also offers a variety of recipe options. If, during operation, the milk runs out, the machine cleverly switches over to topping products from the instant zone to continue to provide the best coffee experience. As additional options milk, topping and sugar are offered as alternatives.

Fits perfectly

The milk module matches the Siamonie Smart perfectly. As always from Sielaff – the technology is always top-quality, simple to operate and meets all the requirements for daily operation. Only a few simple steps to connect the milk module electrically to the Siamonie Smart. The milk carrying tubes can be integrated with the drinks dispense head. Every component is fitted into the module with space-saving in mind. All essential components are space-saving and well laid out in the module. Inside is a standard 1 litre milk carton.

General information

- Design suitable for Siamonie Smart
- Can be easily retrofitted to new Siamonie Smart machines
- Great flexibility, adaptable to all requirements
- milk frother wand for ease of operation
- Short cleaning programme
- Low energy consumption
- Removable side and rear panels for excellent accessibility when servicing
- Desalination filter ensures low maintenance costs
- Recipes with extra sugar option available
- Alternative optional selections possible e.g. lactose-free milk or other instant products
- Intuitive switch-over to topping when the milk has run out or the milk module has already been cleaned

Basic data

- Dimensions (H x W x D)*: 545 x 180 x 410 mm
- 1 litre milk carton in the module

Hygienic and clean

Robust and high quality components ensure a hygienic and low-maintenance milk system. Every time milk is dispensed the milk tubes are flushed through with hot steam.

In no time at all the complete system is cleaned in a few easy steps. After removing the milk carton only the dosing container needs to be positioned and the cleaning liquid added. The cleaning process can now be started. In a few steps the complete system has been hygienically cleaned using cleaning solution and steam. New, fast, easy and innovative.



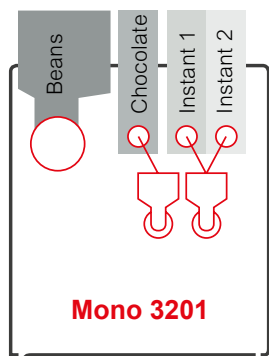
Keeping an eye on energy consumption

The well-insulated boiler not only retains the hot steam but also keeps energy costs pleasingly low. Thanks to the closed, insulated milk module the milk is prevented from warming up. No need for a cooling unit the contents of the milk container stay hygienically fresh.



Product variants

Siamonie Smart OCS and OCS XL



Variant Mono 3201:

Filling capacities Beans:
Mono approx. 0.7 kg to 1.0 kg

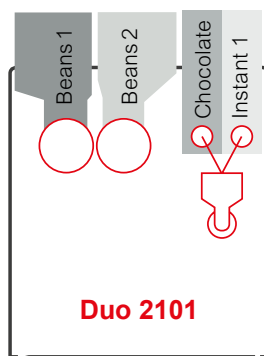
Example

Siamonie Smart OCS instant containers:

Approx. 1.3 l – corresponds to

Topping approx. 0.9 kg

Chocolate powder approx. 1.0 kg



Variant Duo 2101:

Filling capacities Beans 1 and 2:
Duo approx. 0.4 kg to 0.6 kg each

Example

Siamonie Smart OCS XL instant containers:

Approx. 1.7 l – corresponds to

Topping approx. 1.3 kg

Chocolate powder approx. 1.4 kg

Both variants are also available with a fresh milk option if a milk module is connected.

Siamonie Smart OCS und OCS XL:

Cabinet colour

- Matt black (RAL 9005)

Dimensions

- OCS: (h x w x d)* 545 × 380 × 540 mm
- OCS XL: (h x w x d)* 580 × 380 × 540 mm

Water connection

- 3/4" external thread at the machine, 3/8" internal screw thread, flexible water hose with braided metal cover (2 m), 2 – 6 bar

Weight

- OCS: approx. 46 kg
- OCS XL: approx. 47 kg

Electrical data

- 220–230 V ~ / 50/60 Hz / 16 A

Power

- 2.2 kW

Drink capacity

- Up to 100 cups/hour

Cups table

- Easily folded away, infinitely adjustable

Product variants

- Standard: 1 grinder, 3 instant containers
- Optional: 2 grinders, 2 instant containers

Drink sizes

- Freely-adjustable drink sizes up to 300 ml per serving

Pot dispense

- Direct of via a key switch, max. pot height 155 mm

Number of products

- 34 freely-programmable drink recipes. The possibility to refine drinks using pre- and additional selections

Drip tray

- With fill level sensor, 1 litre volume

Dosing

- Speeds and running times of the dosing motors are freely-programmable

Grounds container

- Capacity for example 60 portions of 9 g

Filling quantities

- | | | |
|-------------|---------|--|
| Beans | OCS: | 1 x 0.7 kg / 2 x 0.4 kg |
| | OCS XL: | 1 x 1.0 kg / 2 x 0.6 kg |
| Instant | OCS: | 1.3 litres – corresponds to Topping approx. 0.9 kg / Chocolate powder approx. 1.0 kg |
| | OCS XL: | 1.7 litres – corresponds to Topping approx. 1.3 kg / Chocolate powder approx. 1.4 kg |
| Water tank: | | approx. 3.5 litres |

Payment module

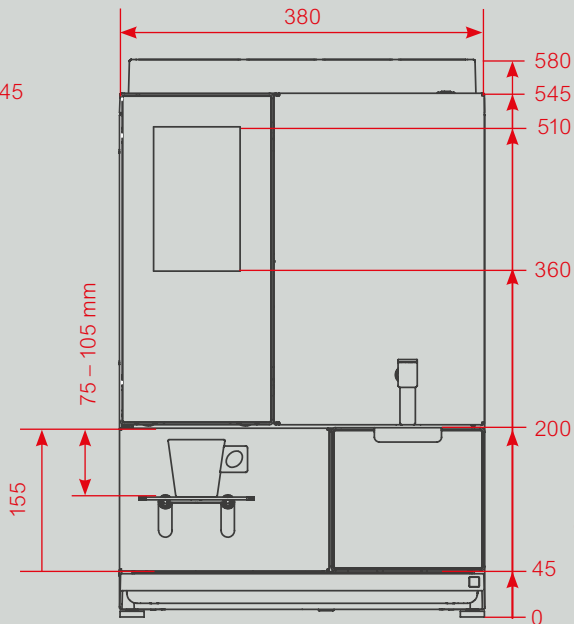
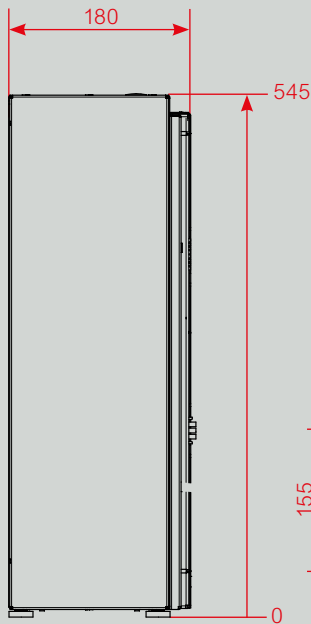
- (h x w x d)* 545 × 152 × 420 mm, approx. 11 kg

Base cabinet

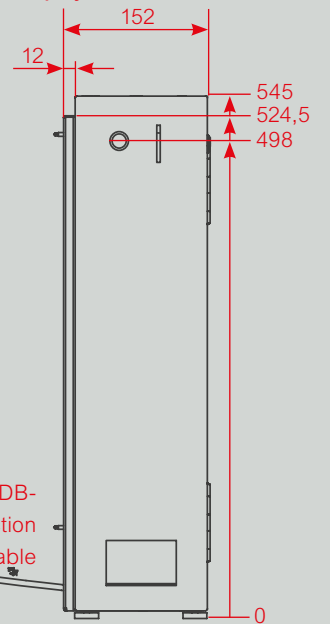
- (h x w x d)* 910 × 380 × 570 mm, approx. 40 kg

* Machine dimensions may vary due to add-on parts and accessories

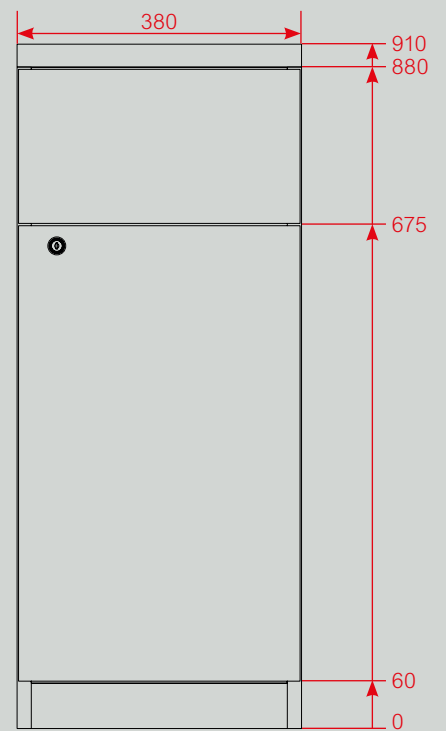
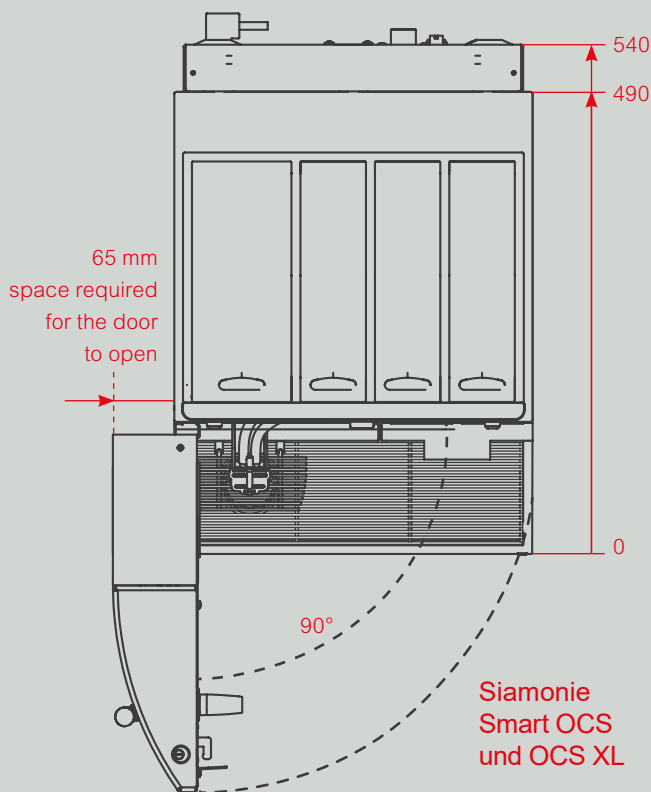
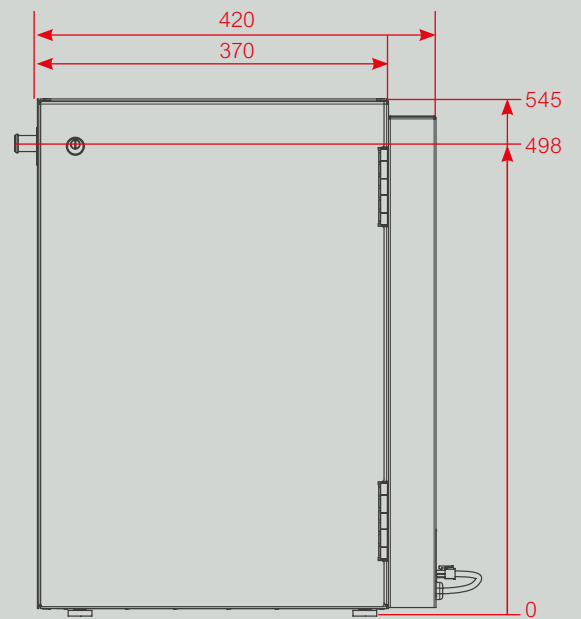
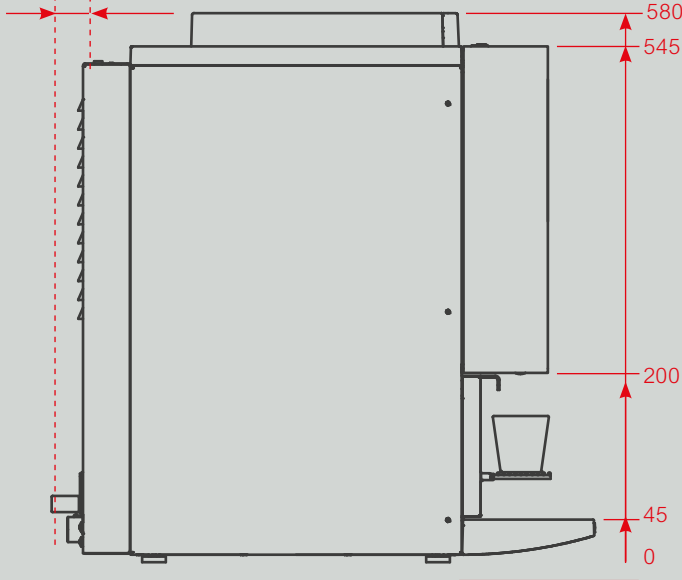
Milk module



payment module



A minimum distance from the wall of 30 mm must be adhered to



Siamonie Smart Base cabinet



Sielaff GmbH & Co. KG
Automatenbau Herrieden
Münchener Str. 20
91567 Herrieden
Germany

Telephone: +49 9825 18-0
Telefax: +49 9825 18-311155
export@sielaff.de
Internet: www.sielaff.com

**See here for our
company profile video**



■ MADE
IN
■ GERMANY